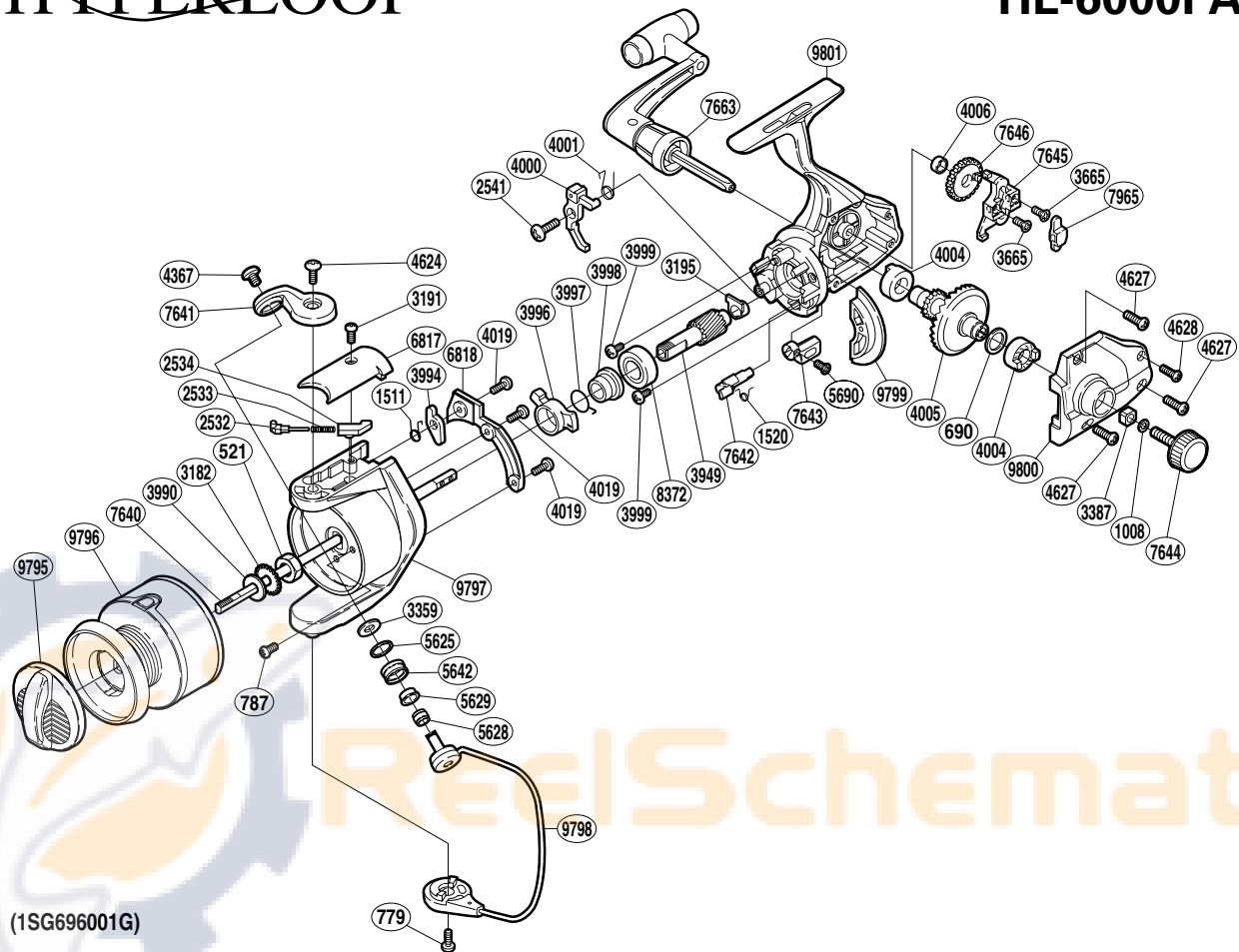


SHIMANO®

HYPERLOOP

HL-6000FA



Part No.	Description	Part No.	Description	Part No.	Description
RD 0521	Rotor Nut	RD 3996	Anti-Reverse Lock Out	RD 6818	Counterbalance Cover
RD 0690	Washer	RD 3997	Anti-Reverse Lock Out Spring	RD 7640	Main Shaft
RD 0779	Screw	RD 3998	Lock Out Spring Holder	RD 7641	Bail Arm
RD 0787	Screw	RD 3999	Bearing Retainer Screw	RD 7642	Anti-Reverse Cam
RD 1008	Handle Lock Washer	RD 4000	Anti-Reverse Pawl	RD 7643	Anti-Reverse Lever
RD 1511	Lever Spring	RD 4001	Anti-Reverse Pawl Spring	RD 7644	Handle Screw Cap
RD 1520	Anti-Reverse Cam Spring	RD 4004	Drive Gear Bushing	RD 7645	Oscillating Slider
RD 2532	Bail Spring Guide A	RD 4005	Drive Gear	RD 7646	Oscillating Gear
RD 2533	Bail Spring	RD 4006	Oscillating Gear Bushing	RD 7663	Handle Assembly
RD 2534	Bail Spring Guide B	RD 4019	Screw	RD 7965	Oscillating Slider Inner
RD 2541	Screw	RD 4367	Screw	RD 8372	Ball Bearing
RD 3182	Spool Support	RD 4624	Screw	RD 9795	Drag Knob
RD 3191	Screw	RD 4627	Screw	RD 9796	Spool Assembly
RD 3195	Bushing	RD 4628	Screw	RD 9797	Rotor
RD 3359	Line Roller Washer	RD 5625	Line Roller Spacer	RD 9798	Bail Assembly
RD 3387	Handle Screw Lock	RD 5628	Line Roller Collar	RD 9799	Side Cover Flange
RD 3665	Screw	RD 5629	Line Roller Bushing	RD 9800	Side Cover
RD 3949	Pinion Gear	RD 5642	Line Roller	RD 9801	Body
RD 3990	Spool Washer	RD 5690	Anti-Reverse Lever Screw		
RD 3994	Bail Trip Lever	RD 6817	Bail Spring Cover		